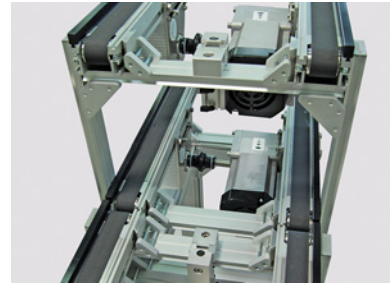
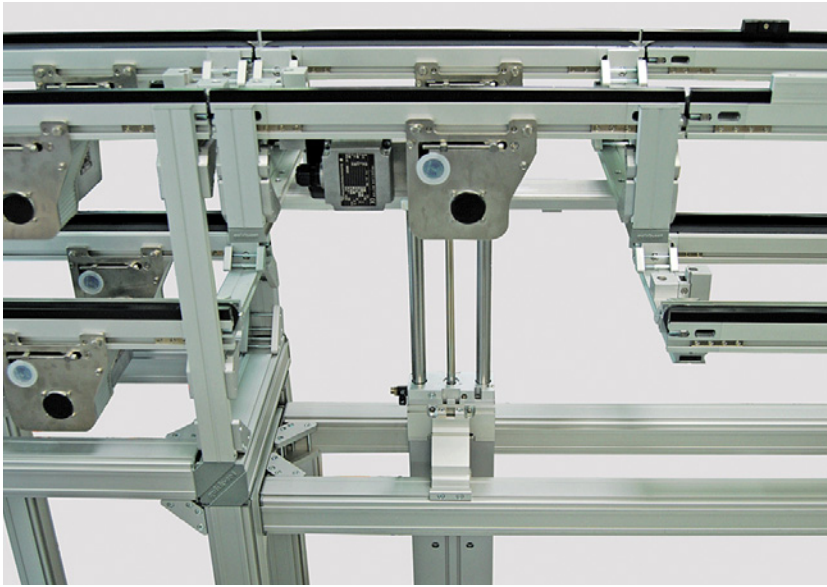


## CIRCULATION SYSTEM WITH LIFTING CAPACITY



### TECHNICAL DATA

|                                      |                                  |
|--------------------------------------|----------------------------------|
| Type of conveyor                     | TB30-60 tandem conveyor          |
| Drive                                | Center drive, three-phase motor  |
| Transfer plate                       | 289 x 395 mm                     |
| Usable conveyor width                | 305 mm                           |
| Conveyor length                      | 4000 mm                          |
| Overall system width                 | Max. 800 mm                      |
| Speed                                | 10.9 m/min                       |
| Lifts                                | 260 mm                           |
| Positioning accuracy indexing device | ± 0.05 mm                        |
| Permissible load                     | 250 N (per conveyor belt)        |
| Substructure                         | Quick-Set profile framing system |

### SPECIAL FEATURE

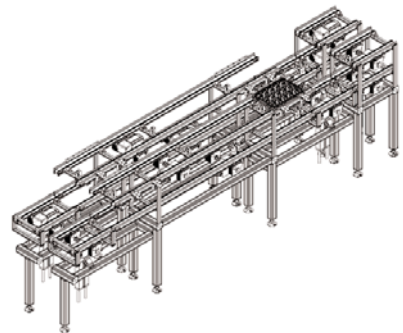
- transport on two levels
- cost-effective pneumatic lift
- adjustable track width

### PROJECT DESCRIPTION

Used to transport small load carriers or totes, this circulating system features tandem TB30 conveyors with a cost-effective pneumatic lift at each end. As the carriers move around the belt, the lifts raise or lower the chassis ends as needed to circulate the carriers, allowing the system to operate on two levels. The track width also adjusts to accommodate different sized carriers.

### INDUSTRIES

Automotive  
Automotive Supplier



**MONTECH**<sup>®</sup>  
more than technology

MONTECH AG  
Gewerbstrasse 12  
CH-4552 Derendingen  
Fon +41 32 681 55 00  
info@montech.com  
www.montech.com