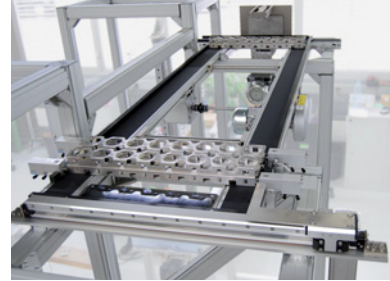
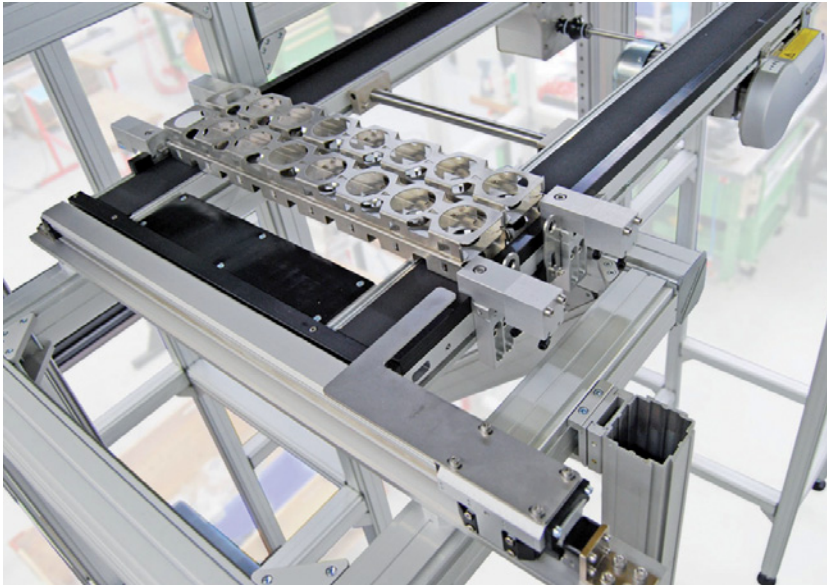


BUFFER WITH LATERAL DISPLACEMENT



TECHNICAL DATA

Conveyor over transit	TTBD-105 tandem conveyor
Drive transit	Horizontal, spur gear motor
Conveyor for lifts	BTB-105 conveyor
Drive lifts	Center drive with induction motor
Conveyor width lifts	71 mm
Working heights	950 mm / 2450 mm
Opening passage	1000 mm wide, 2200 mm high
Vertical height lift	1500 mm
Lift	Electrical
Temperature	Up to +80°C
Enclosure	Quick-Set profile framing system

SPECIAL FEATURES

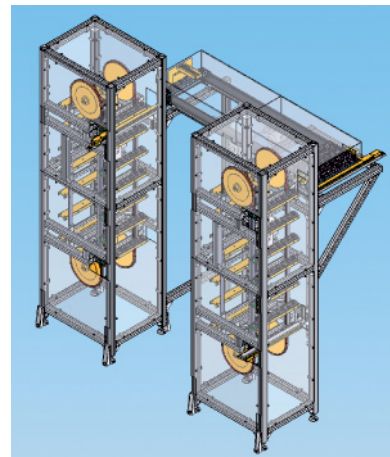
- pass-trough for personnel
- accommodates customers-specific transfer plates

PROJECT DESCRIPTION

This tandem conveyor buffer system transports custom-designed holders for electrical components. The holders are buffered to allow the components to cool down, and then they are transported laterally to the next workstation.

INDUSTRIES

Electronics
Plastics



MONTECH[®]
more than technology

MONTECH AG
Gewerbstrasse 12
CH-4552 Derendingen
Fon +41 32 681 55 00
info@montech.com
www.montech.com