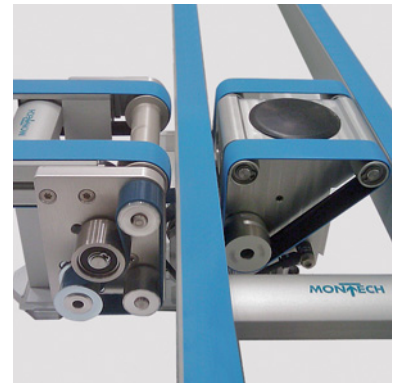
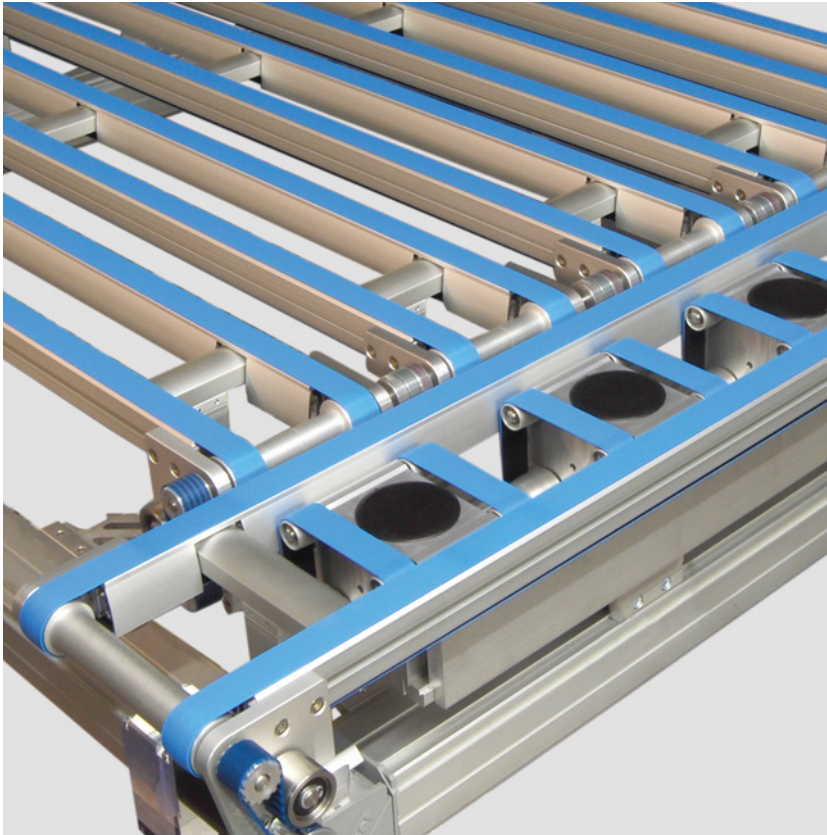


# SOLTB-ASM-104x144 DISCHARGE MODULE



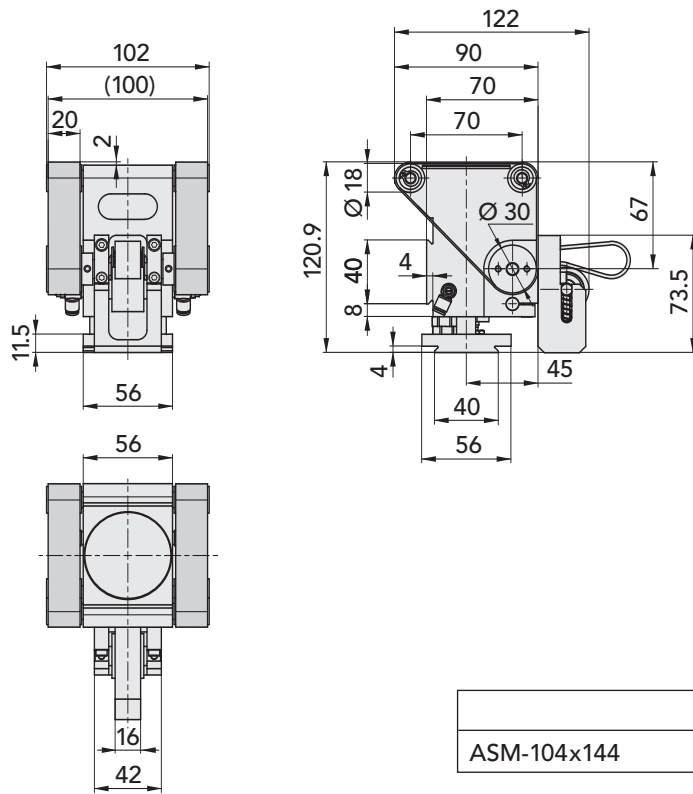
SOLTB-ASM-104 x 144 pneumatically driven discharge modules can remove single parts on a production line or, when configured with additional units, remove multiple parts. The discharge modules are used in conjunction with SOLTB-144 feed conveyors and SOLTB-104 discharge conveyors.

A special coupling on the SOLTB-104 discharge conveyor drives the belt on the module.

## **ADVANTAGES:**

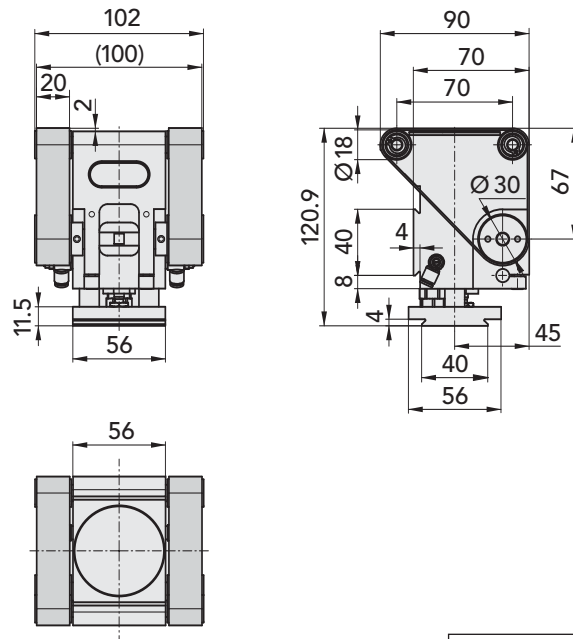
- Length and width can be specified by the customer
- Module's belt is powered via a special coupling, eliminating an additional drive unit
- Product is untouched

**REMOVAL MODULE SOLTB-ASM-104x144 - DIMENSION**  
(Module complete)



	Ref. No.
ASM-104x144	59588

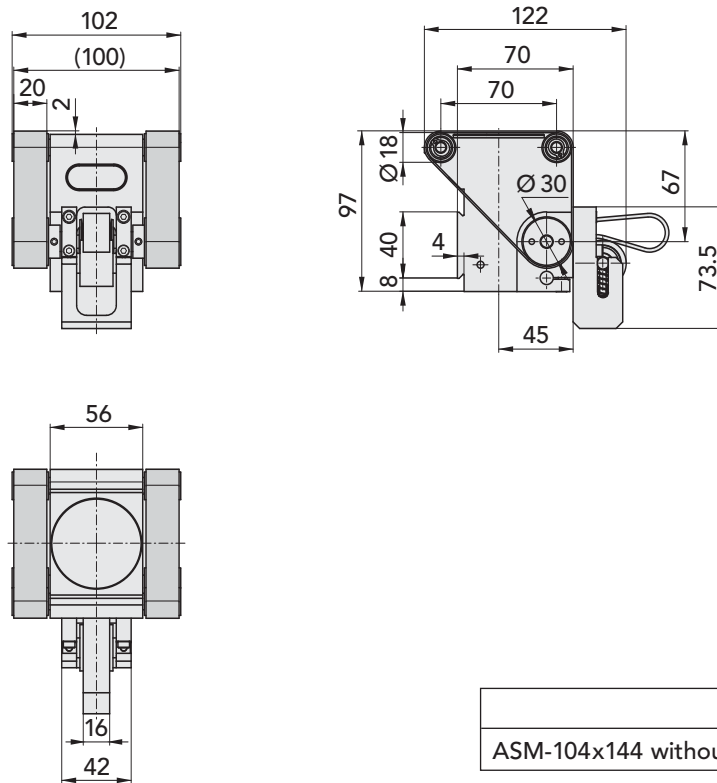
**REMOVAL MODULE SOLTB-ASM-104x144 - DIMENSION**  
(without belt drive coupling)



	Ref. No.
ASM-104x144 without K	59719

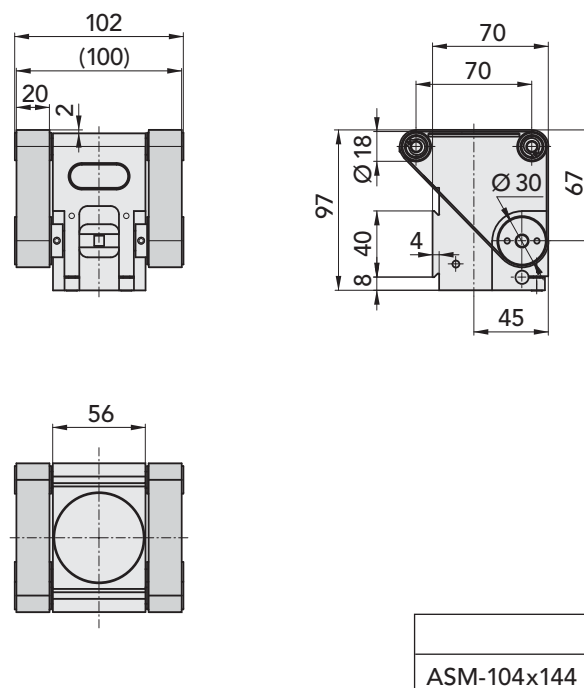
### REMOVAL MODULE SOLTB-ASM-104x144 - DIMENSION

(without guide elements; without pneumatic drive)



### REMOVAL MODULE SOLTB-ASM-104x144 - DIMENSION

(without belt drive coupling without guide elements and pneumatic drive)



## REMOVAL MODULE SOLTB-ASM-104x144 - TECHNICAL DATA

		<b>module complete</b>	<b>without K<sup>1)</sup></b>	<b>without F<sup>2)</sup></b>	<b>without KF<sup>3)</sup></b>
Stroke (min. / max.)	[mm]	4 / 18	4 / 18	–	–
Travel time <sup>4)</sup>	[s]	0.25	0.25	–	–
Adjustment range of top stop	[mm]	4	4	–	–
Adjustment range of bottom stop	[mm]	8	8	–	–
Piston diameter	[mm]	16	16	–	–
Piston rod diameter	[mm]	6	6	–	–
Weight	[kg]	1.4	1.2	1	0.8
Required drive torque	[Nm]	0.05			
Operating pressure	[bar]	3–6			
Driving medium		air unoiled, filtered to 5 µm, dew point < 6°C			
End stop absorption		rubber cushions			
Pneumatic connection	[mm]	hose-Ø 4			
Speed control		adjustable exhaust air flow control valves			
Noise pressure level	[dBA]	< 60			
Ambient conditions: temperature	[°C]	10 to 40			
rel. humidity		<95% (without condensation)			
air purity		normal workshop atmosphere			
Warranty period		2 years from the date of delivery			
Installation position		vertical			

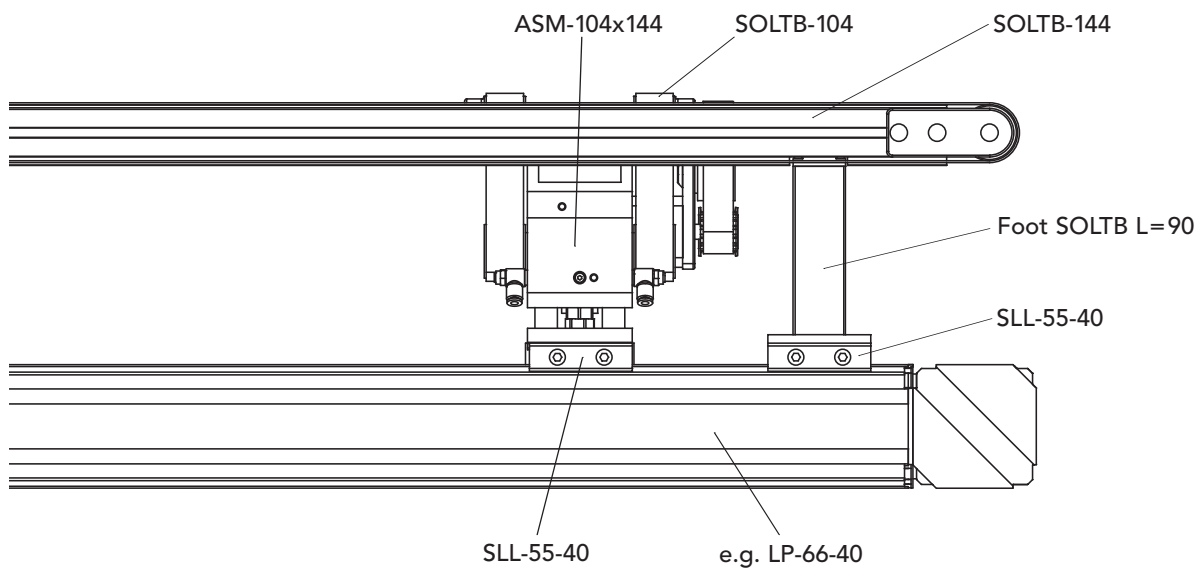
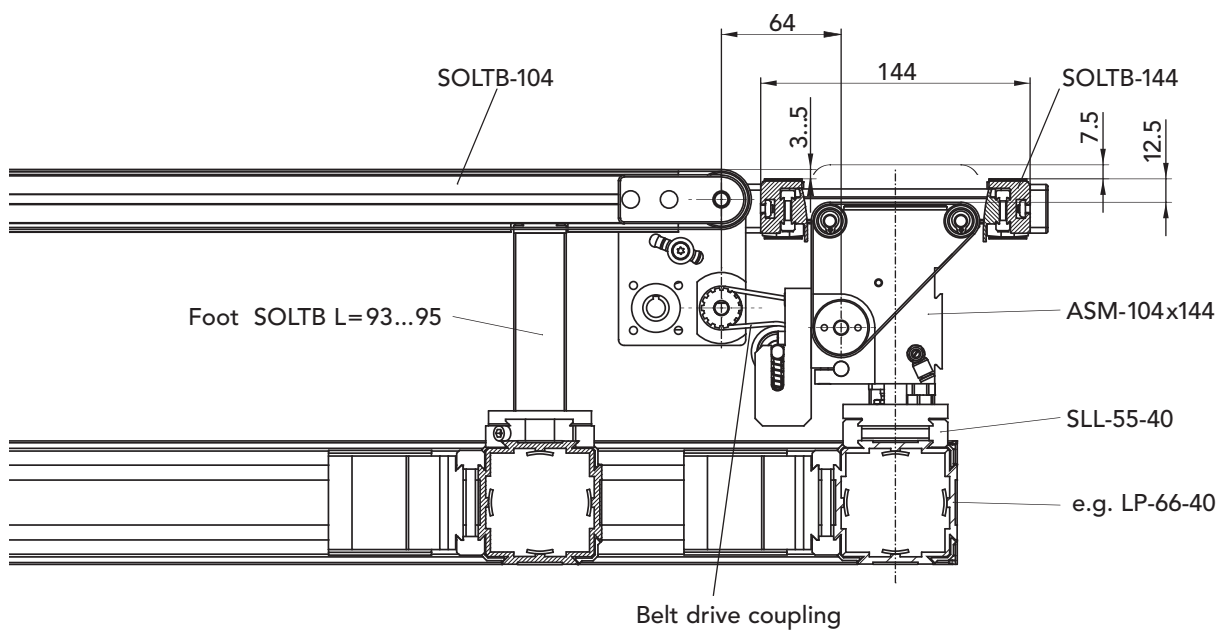
1) without belt drive coupling

2) without guide elements; without pneumatic drive

3) without belt drive coupling without guide elements; without pneumatic drive

4) Travel time is measured by 5 bar, minimal stroke and Wafer on the belt

## CONFIGURATION FOR INDIVIDUAL REMOVAL



## CONFIGURATION FOR MULTIPLE REMOVALS

### Combination of modules for multiple removals:

The belt drive coupling is always executed in Module 1.

For each combination, use only two modules with pneumatic drive and guide elements («Komplett» and/or «without K») and center them in the system.

### Limits:

Maximum spacing between the two guide modules («Komplett» and/or «without K»): 700 mm

Maximum total weight (incl. connecting elements) where  $p=6\text{bar}$ : 13 kg

Maximum width: 1800 mm

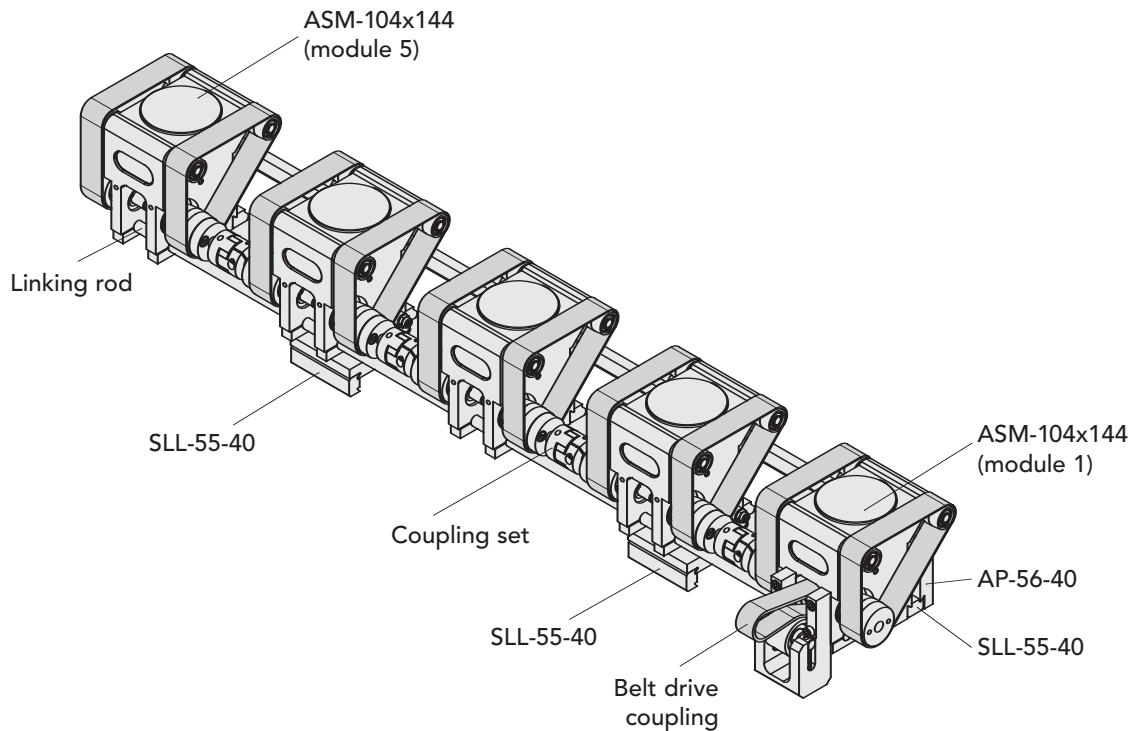
## CONFIGURATIONS FOR MULTIPLE REMOVALS

	module 1	module 2	module 3	module 4	module 5	module 6	module 7	module 8
for 2 modules	complete	without K <sup>1)</sup>						
for 3 modules	complete	without KF <sup>3)</sup>	without K <sup>1)</sup>					
for 4 modules	without F <sup>2)</sup>	without K <sup>1)</sup>	without K <sup>1)</sup>	without KF <sup>3)</sup>				
for 5 modules	without F <sup>2)</sup>	without K <sup>1)</sup>	without KF <sup>3)</sup>	without K <sup>1)</sup>	without KF <sup>3)</sup>			
for 6 modules	without F <sup>2)</sup>	without KF <sup>3)</sup>	without K <sup>1)</sup>	without K <sup>1)</sup>	without KF <sup>3)</sup>	without KF <sup>3)</sup>		
for 7 modules	without F <sup>2)</sup>	without KF <sup>3)</sup>	without K <sup>1)</sup>	without KF <sup>3)</sup>	without K <sup>1)</sup>	without KF <sup>3)</sup>	without KF <sup>3)</sup>	
for 8 modules	without F <sup>2)</sup>	without KF <sup>3)</sup>	without K <sup>1)</sup>	without KF <sup>3)</sup>	without KF <sup>3)</sup>	without K <sup>1)</sup>	without KF <sup>3)</sup>	without KF <sup>3)</sup>

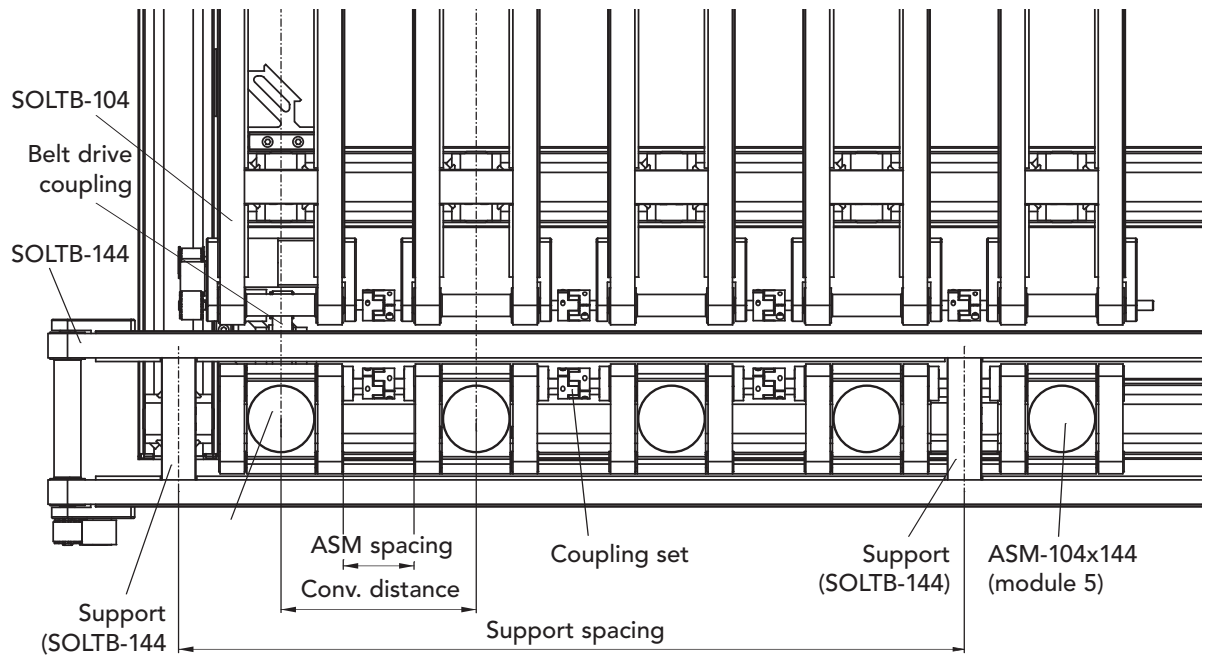
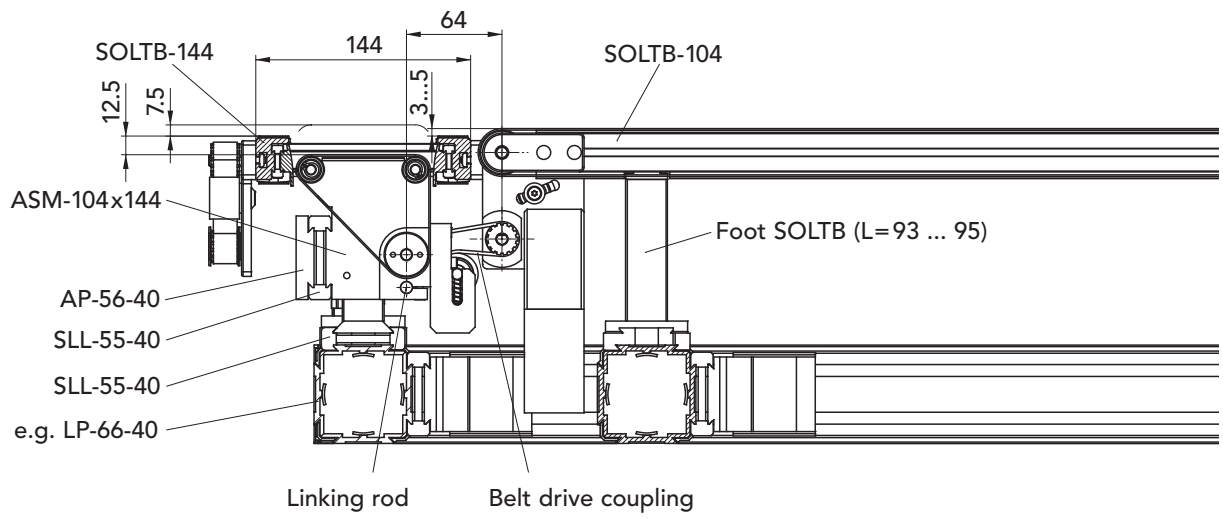
1) without belt drive coupling

2) without guide elements; without pneumatic drive

3) without belt drive coupling without guide elements; without pneumatic drive

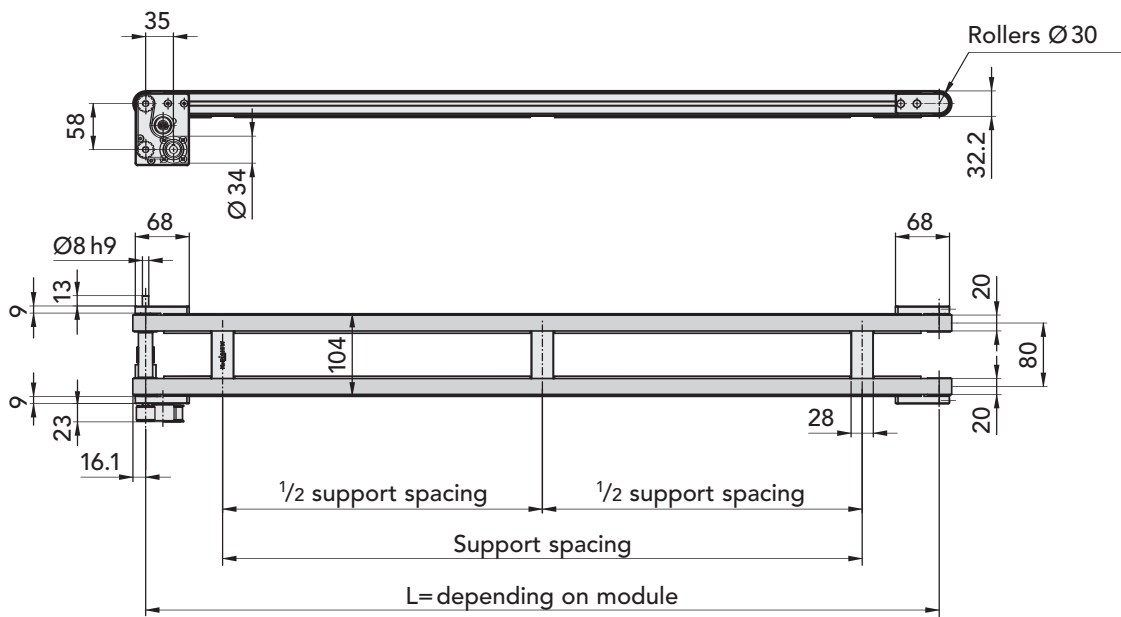


## CONFIGURATION FOR MULTIPLE REMOVALS



## ACCESSORIES

Conveyor with a special coupling from SOLTB-104 removal conveyor

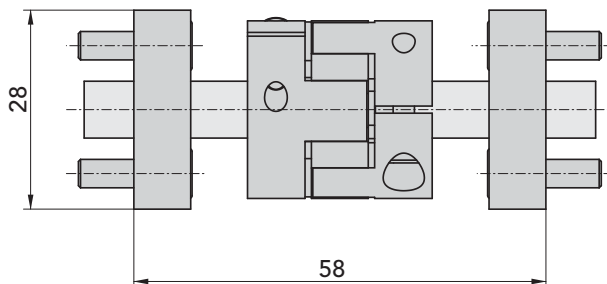


All additional SOLTB-144 and SOLTB-104 conveyors can be selected from our standard product line

	Ref. No.
Conveyor with special coupling	<b>59809/xxxx</b>

## ACCESSORIES

Coupling set for multiple removals



Accessories	Ref. No.
Coupling set m=0.06 kg	<b>59697</b>

### Accessories, connecting elements

Linking rod Ø8

weight = 0.4 kg/m

order-specific

Adapter profile AP-56-40

weight = 1.62 kg/m

**46253N...**

Clamping element, longitudinal/longitudinal SLL-55-40

weight = 0.055 kg

**40201N**

**MONTECH**<sup>®</sup>  
more than technology

MONTECH AG  
Gewerbstrasse 12  
CH-4552 Derendingen  
Fon +41 32 681 55 00  
info@montech.com  
www.montech.com