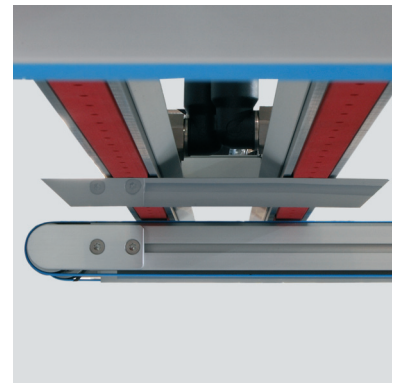
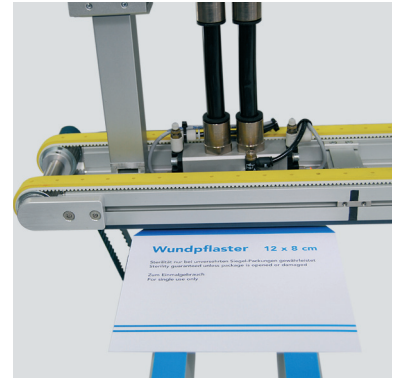
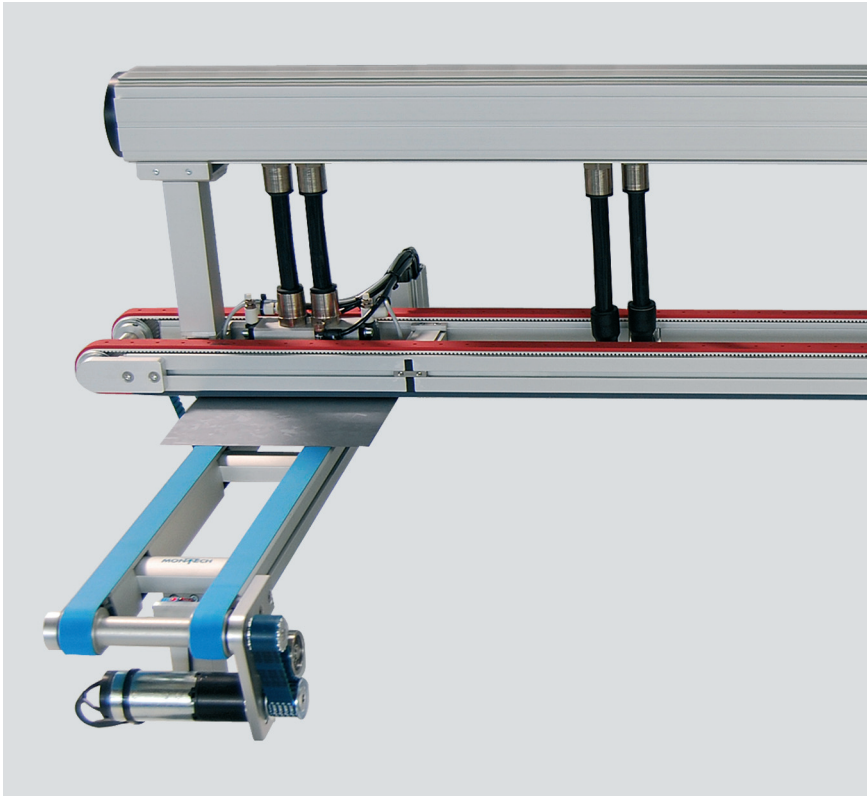


## *SOLTB-V VACUUM CONVEYOR*



Montech's vacuum conveyors transport large quantities of flat, delicate or lightweight workpieces or solar wafers at speeds up to 5 m per second. Montech's vacuum conveyors can be customized to meet your needs, including overhead transportation, and feature compact dimensions. Conventional handling and transport solutions require an unproductive return track. Montech's vacuum conveyor has no return track, which helps increase productivity, and is extremely cost effective compared to other systems.

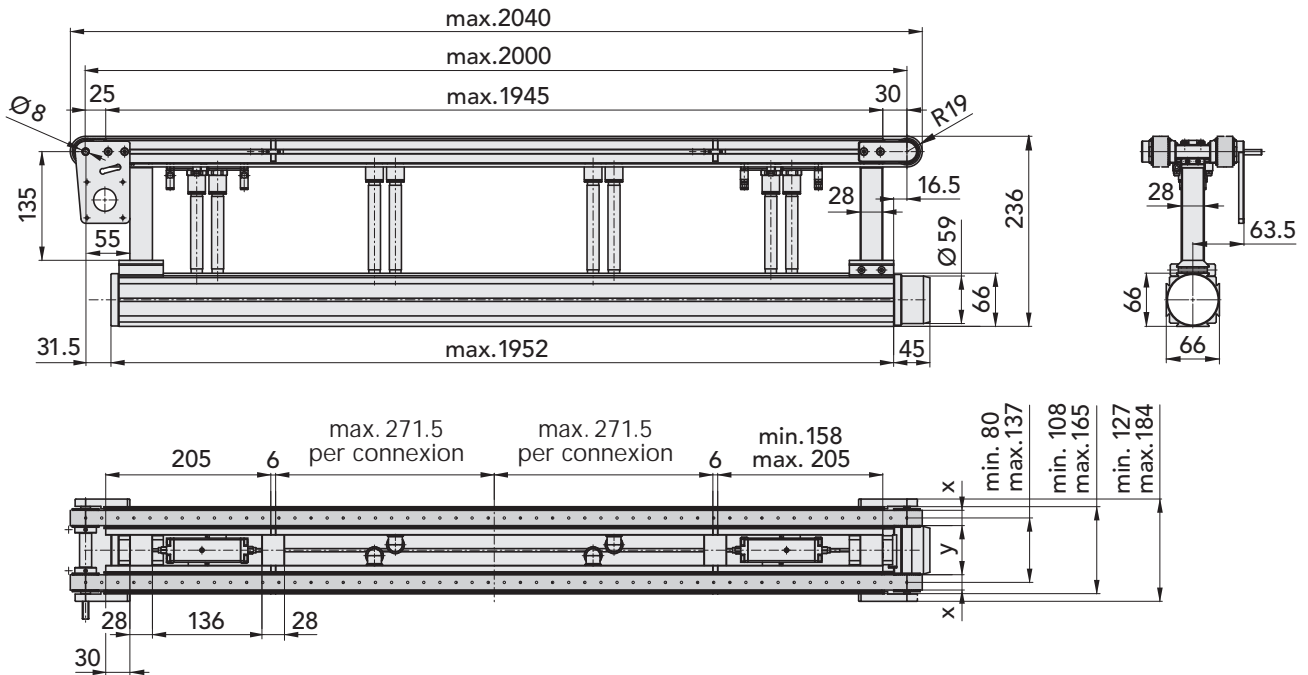
### **VERSIONS:**

- Vacuum conveyor with belts
- Vacuum conveyor with toothed belts
- Vacuum conveyor with toothed belts for overhead transportation

### **ADVANTAGES:**

- > *Overhead transportation possible*
- > *Large quantities of workpieces or solar wafers can be handled simultaneously*
- > *No nonproductive return track*
- > *Compact dimensions*

## VACUUM CONVEYOR SOLTB-V - DIMENSION



Versions	x	y
with belts	20	min. 60 / max. 117
with toothed belts	19	min. 61 / max. 118
with toothed belts for overhead transportation	14	min. 66 / max. 123

## VACUUM CONVEYOR SOLTB-V TECHNICAL - DATA

Chassis width	[mm]	108 (standard – width over 108 mm on request)
Conveyor length	[mm]	2000 (middle roll – roll)
Required drive torque	[Nm]	min 1.5
Belt speed	[m/s]	max. 5
Acceleration and brake ramp	[m/s <sup>2</sup> ]	max. 20
Ambient conditions: temperature	[°C]	10–40
rel. humidity		<95% (without condensation)
air purity		normal workshop atmosphere

**MONTECH**<sup>®</sup>  
more than technology

MONTECH AG  
Gewerbstrasse 12  
CH-4552 Derendingen  
Fon +41 32 681 55 00  
info@montech.com  
www.montech.com