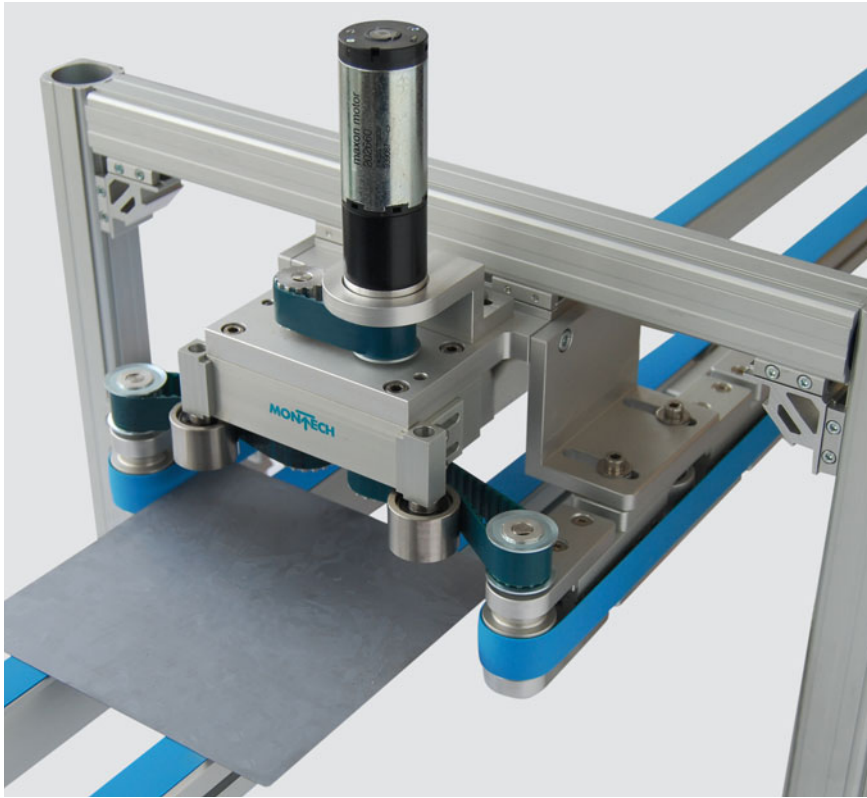


## CENTERING CONVEYOR SOLTB-Z

(for centering wafers)

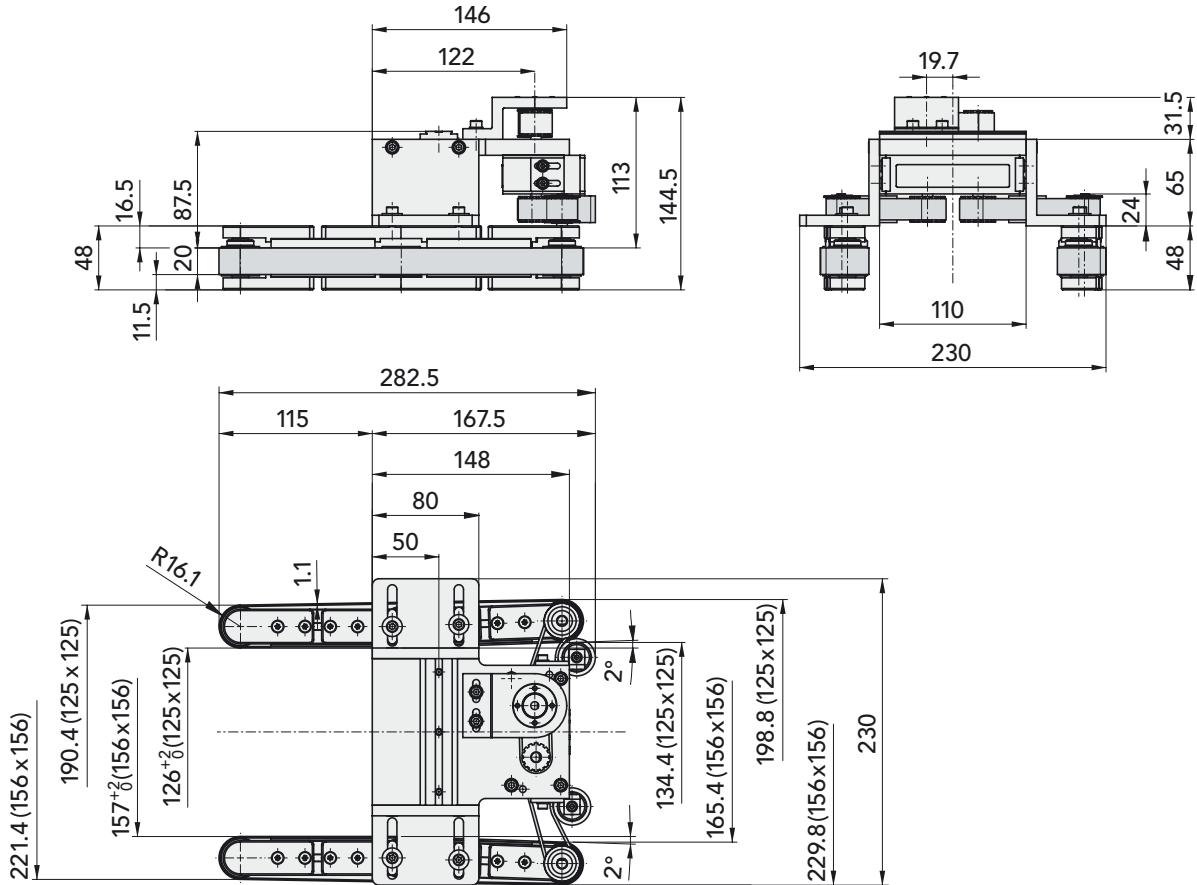


The Centering Conveyor is used for centering 125x125 mm and 156x156 mm wafers, after unloading, prior to loading carriers or before measuring or test equipments.

### ADVANTAGES:

- > Easy to change from 125x125 mm to 156x156 mm wafer
- > Gentle centering
- > Mounted above Solar Conveyor SOLTB (broken wafers will not fall onto the centering conveyor)
- > Include drive components for  
Neugart gearhead PLE-40 (gear shafts  $\text{Ø}10 \text{ h}7$ )  
Maxon gearhead GP 32 A (gear shafts  $\text{Ø}6_{-0.015}^{-0.004}$ )

## CENTERING CONVEYOR SOLTB-Z - DIMENSION



## CENTERING CONVEYOR SOLTB-Z - TECHNICAL DATA

Weight	[kg]	3.6
Required drive torque	[Nm]	1
Motor (motor bracket) prepared for		Neugart gearhead PLE-40, Maxon gearhead GP32 A
Ambient conditions: temperature	[°C]	10–40
rel. humidity		<95% (without condensation)
air purity		normal workshop atmosphere
Warranty period		2 years from the date of delivery

**MONTECH**<sup>®</sup>  
more than technology

MONTECH AG  
Gewerbstrasse 12  
CH-4552 Derendingen  
Fon +41 32 681 55 00  
Fax +41 32 682 19 77  
info@montech.com  
www.montech.com