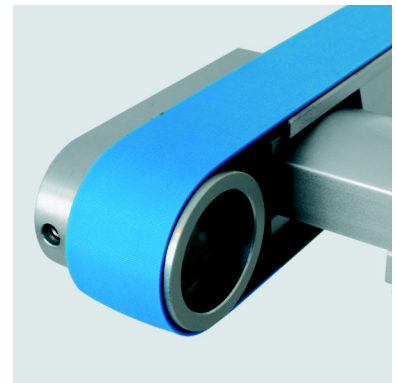
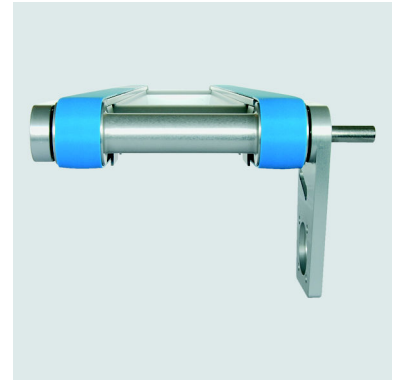


SPECIAL CONVEYOR SOLTB



The Special Conveyors SOLTB are used as feed or removal conveyors or for interlinking entire production lines; they are available with flat belts or as a special version with toothed belts. The Special Conveyor consists of a chassis with two belts which are guaranteed to run synchronously. The complete conveyor can be installed and removed from above, and belts can be replaced while the conveyor is installed.

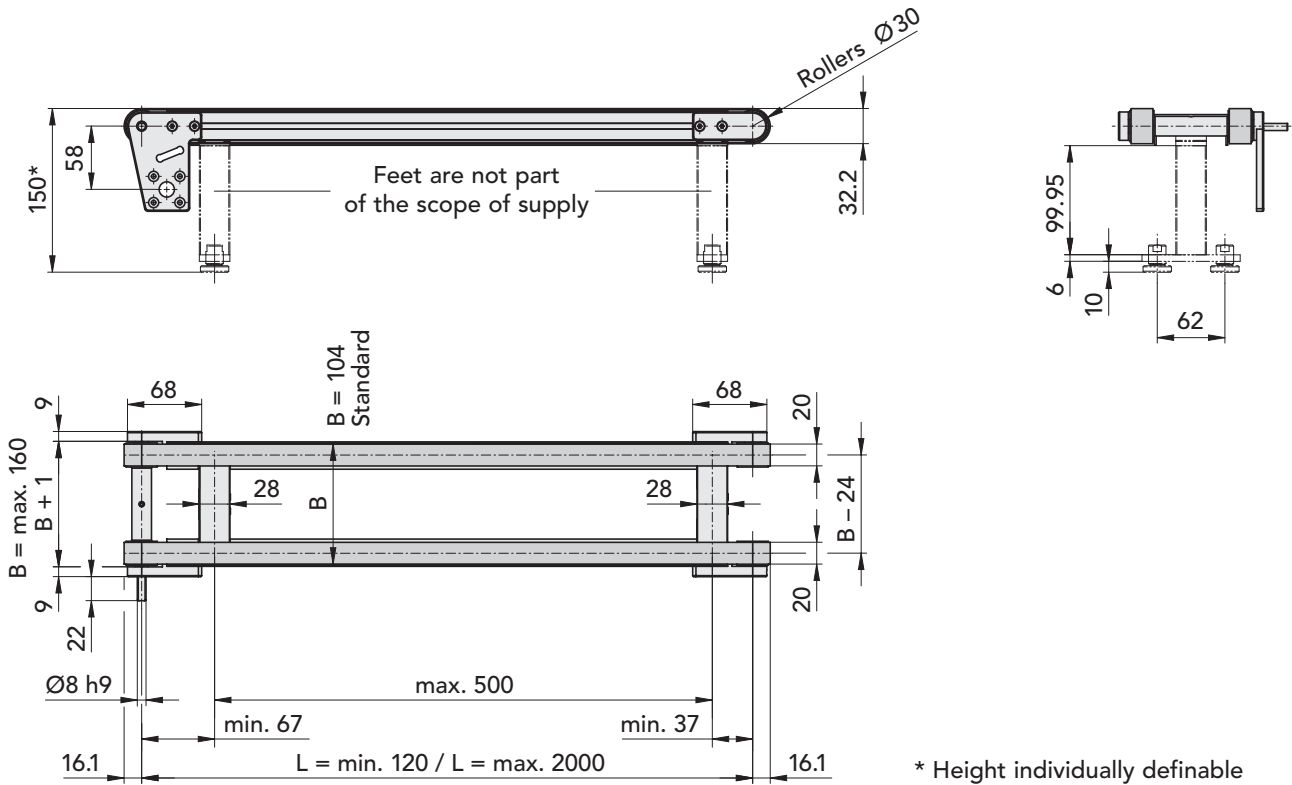
The Special Conveyor does not have any protruding edges. It will transport the sensitive wafers with the highest precision and gentlest care.

Since the Special Conveyor has only very few components, the need for spares will be minimal. Broken wafers can fall out easily, as there is enough room between the belts.

ADVANTAGES:

- > Length and width according to customer specification
- > Available with flat belts or as a special version with toothed belts
- > Easy belt change, even while installed
- > Head drive optionally on the right or left side
- > Include drive components for Neugart gearhead PLE-40 (gear shafts $\text{Ø}10 \text{ h7}$)
Maxon gearhead GP 32 A (gear shafts $\text{Ø}6_{-0.015}^{-0.004}$)
- > Roller diameter 30 mm

SPECIAL CONVEYOR SOLTB - DIMENSION



SPECIAL CONVEYOR SOLTB - TECHNICAL DATA

Weight SOLTB B=104 with 2 supports (without drive components):		
Head drive weight (L = 500 mm)	[kg]	1.660
Weight (additional 100 mm)	[kg]	0.230
Each additional support	[kg]	0.080
Weight SOLTB B=144 with 2 supports (without drive components):		
Head drive weight (L = 500 mm)	[kg]	1.720
Weight (additional 100 mm)	[kg]	0.230
Each additional support	[kg]	0.110
Required drive torque	[Nm]	0.5
Motor (motor bracket) prepared for	Neugart gearhead PLE-40, Maxon gearhead GP32 A	
Ambient conditions: temperature	[°C]	10 to 40
rel. humidity	<95% (without condensation)	
air purity	normal workshop atmosphere	
Warranty period	2 years from the date of delivery	
Installation position	horizontal	
Accessories: foot	height according to customer specification	

MONTECH[®]
more than technology

MONTECH AG
Gewerbstrasse 12
CH-4552 Derendingen
Fon +41 32 681 55 00
Fax +41 32 682 19 77
info@montech.com
www.montech.com