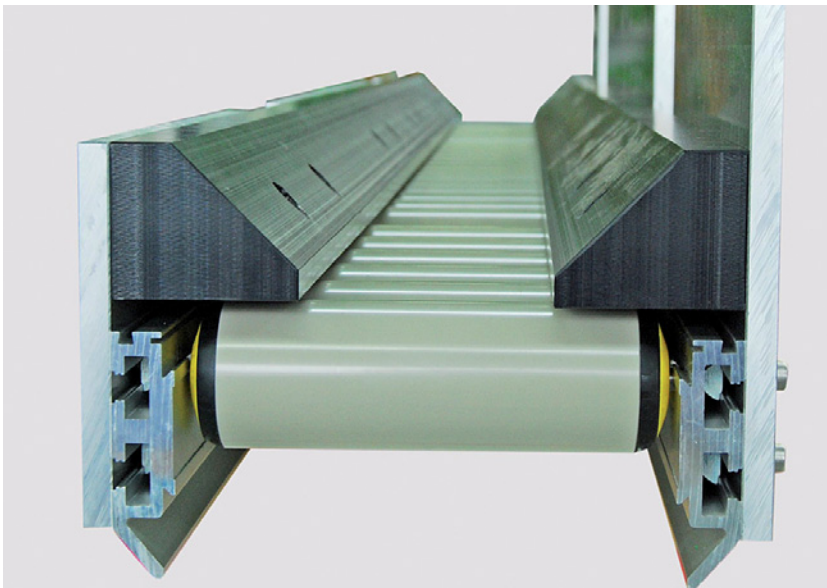
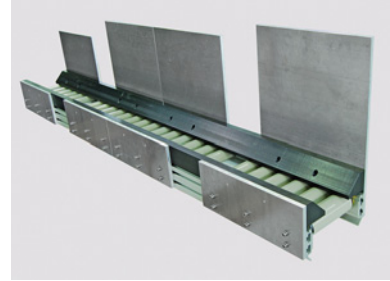


GRAVITY ROLLER CONVEYOR WITH CENTERING



TECHNICAL DATA

Type of conveyor	Gravity roller conveyor, centering guides
Drive	None
Conveyor width	200 mm
Usable conveyor width	80 mm
Conveyor length	1500 mm
Max. transport weight	59 kg (conveying mode)
Substructure	Quick-Set profile framing system

SPECIAL FEATURES

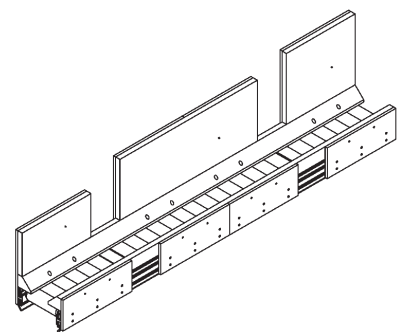
- gravity roller conveyor – no drive needed
- special lateral guides center parts

PROJECT DESCRIPTION

This Montech-designed gravity roller conveyor receives plastic parts via an inbound ramp. Special lateral guides center the plastic parts on the sloped conveyor, which transports them to the next processing station.

INDUSTRY

Plastics



MONTECH[®]
more than technology

MONTECH AG
Gewerbstrasse 12
CH-4552 Derendingen
Fon +41 32 681 55 00
info@montech.com
www.montech.com