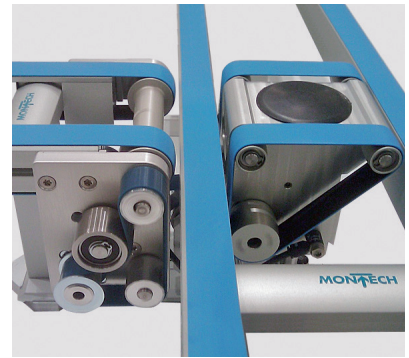
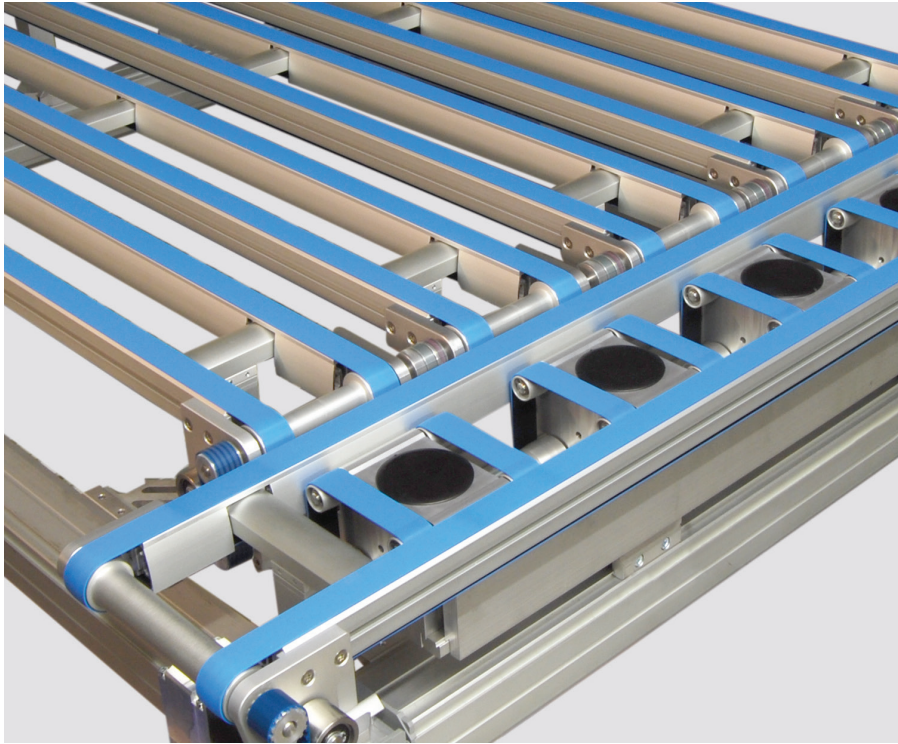


## SOLTB-ASM-104x144 – DISCHARGE MODULE



### PROJECT DESCRIPTION

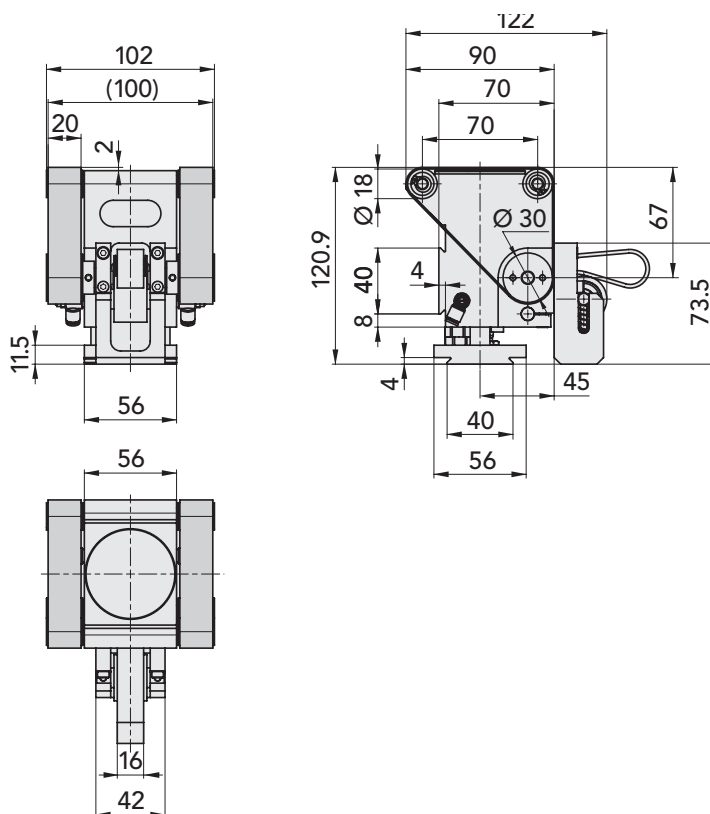
SOLTB-ASM-104 x 144 pneumatically driven discharge modules can remove single parts on a production line or, when configured with additional units, remove multiple parts. The discharge modules are used in conjunction with SOLTB-144 feed conveyors and SOLTB-104 discharge conveyors.

A special coupling on the SOLTB-104 discharge conveyor drives the belt on the module.

### SPECIAL FEATURES

- > Length and width can be specified by the customer
- > Module's belt is powered via a special coupling, eliminating an additional drive unit
- > Product is untouched

## SOLTB-ASM-104x144 REMOVAL MODULE – DIMENSIONS



## SOLTB-ASM-104x144 REMOVAL MODULE – TECHNICAL DATA

Stroke (min. / max.)	[mm]	4 / 18
Travel time <sup>4)</sup>	[s]	0.25
Adjustment range of top stop	[mm]	4
Adjustment range of bottom stop	[mm]	8
Piston diameter	[mm]	16
Piston rod diameter	[mm]	6
Weight	[kg]	1.4
Required drive torque	[Nm]	0.05
Operating pressure	[bar]	3–6
Driving medium		air unoiled, filtered to 5 µm, dew point < 6°C
End stop absorption		rubber cushions
Pneumatic connection	[mm]	hose-Ø 4
Speed control		adjustable exhaust air flow control valves
Noise pressure level	[dBA]	< 60
Ambient conditions: temperature	[°C]	10 to 40
rel. humidity		<95% (without condensation)
air purity		normal workshop atmosphere
Warranty period		2 years from the date of delivery

**MONTECH**<sup>®</sup>  
more than technology

MONTECH AG  
Gewerbstrasse 12  
CH-4552 Derendingen  
Fon +41 32 681 55 00  
info@montech.com  
www.montech.com