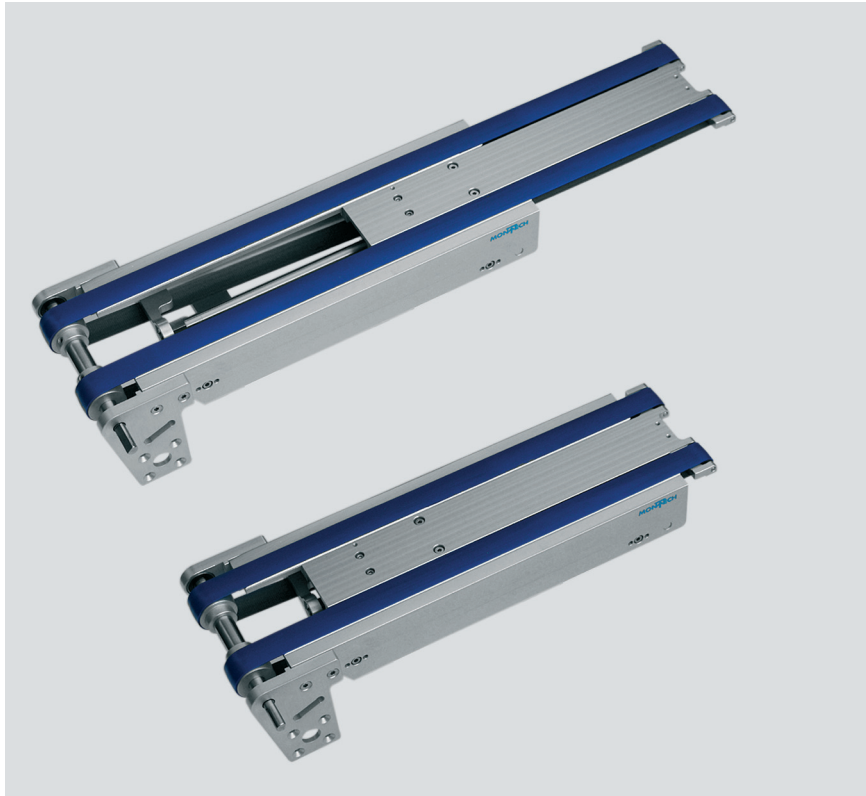


## UNLOADING CONVEYOR SOLTB-E

(for loading and unloading carriers)



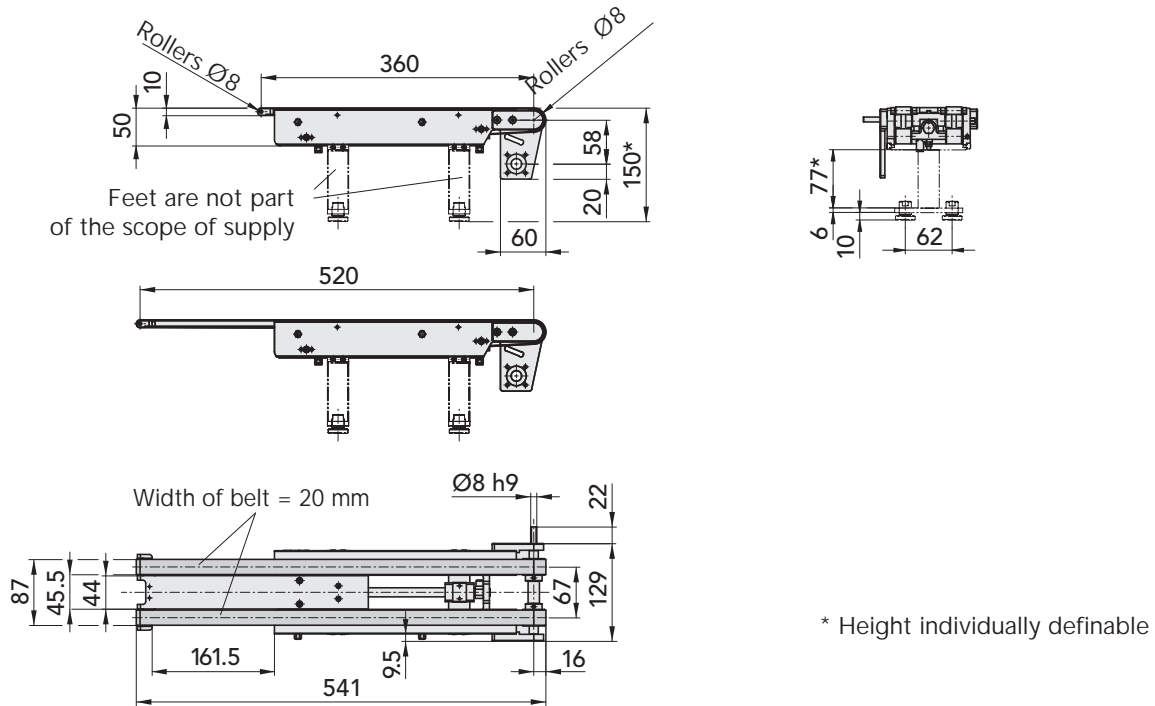
The Unloading Conveyor SOLTB-E is a conveyor with two belts consisting of a stationary and an extendable part with a stroke about 160 mm. The extendable part is driven by a pneumatic cylinder.

The Unloading Conveyor has only a pair of belts and one drive, making it a cost-effective and efficient product.

### ADVANTAGES:

- > *Extended part 9.6 mm thick*
- > *Head drive optionally on the right or left side*
- > *Include drive components for:*  
*Neugart gearhead PLE-40 (gear shafts Ø10 h7)*  
*Maxon gearhead GP 32 A (gear shafts Ø6  $_{-0.004}^{-0.015}$ )*
- > *Drive roller diameter 30 mm*

## UNLOADING CONVEYOR SOLTB-E - DIMENSION



## UNLOADING CONVEYOR SOLTB-E - TECHNICAL DATA

Stroke	[mm]	160
Piston diameter	[mm]	10
Extension / retraction time at 5 bar	[s]	0.7 / 0.6
Weight	[kg]	2.5
Required drive torque	[Nm]	0.5
Operating pressure	[bar]	3-6
Driving medium		air unooled, filtered to 5 µm, dew point < 6°C
End stop absorption		none
Check of end positions open / closed		inductive proximity switches (not included in delivery scope)
Tool presence sensing in extendable part		by means of an fiber optics sensor (not incl. in delivery scope)
Pneumatic connection	[mm]	hose-Ø 4
Speed control		adjustable exhaust air flow control valves
Noise pressure level	[dBA]	< 60
Motor (motor bracket) prepared for		Neugart gearhead PLE-40, Maxon gearhead GP32 A
Warranty period		2 years from the date of delivery
Installation position		horizontal
Accessories: foot		height according to customer specification

**MONTECH**<sup>®</sup>  
more than technology

Montech Conveyors Corp.  
13420 Reese Blvd. West  
Huntersville, NC 28078  
Phone 704-659-2186  
info.us@montech.com  
www.montech.com