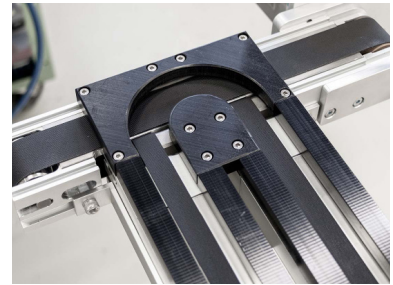
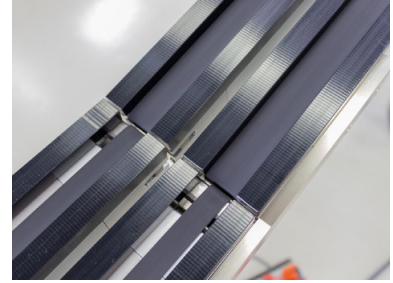


## TRANSFER SYSTEM WITH DRAWBRIDGE CONVEYOR

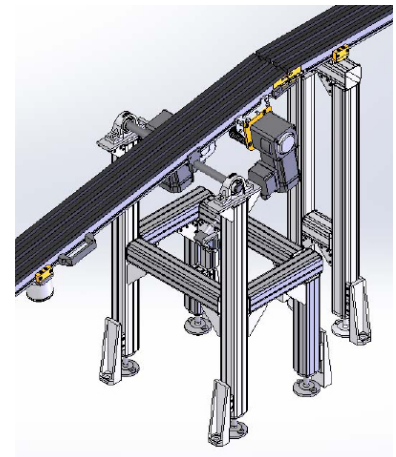


### TECHNICAL DATA

Type	Transfer System LTE-60
Drive	3 x 400 V, 50 Hz
Conveyor belt width	B = 1.04 in $\pm$ 0.02 in (26.5 $\pm$ 0.5 mm)
Workpiece carrier / useful conveyor belt width	1 x 1 in (25.4 x 25.4 mm)
Working height	38.72 in $\pm$ 0.79 in (983.5 $\pm$ 20 mm)
Max. transport weight	19.84 lb (9 kg)
Speed	89.56 ft/min (50Hz) (27.3 m/min 50Hz)
Belt type endless	ENI-5EE antistatic
Substructure	Quick-Set framing system, mobile with 4 swivel castors

### INDUSTRY

Automotive, Automotive Supplier, Electronics, Plastics, Cosmetics, Medical



### PROJECT DESCRIPTION

The LTE transfer system transports products secured on very small, 1" x 1", product carriers. Inexpensive 90° and 180° curves are utilized to turn the product at the ends of the conveyor runs. Should it be necessary to gain access to the opposite side of the transfer system for any reason, a drawbridge conveyor section has been incorporated.



Montech Conveyors Corp.  
Daetwyler Plaza  
13420 Reese Blvd West  
Huntersville, NC 28078, USA  
Phone +1 704 659 2187  
info.us@montech.com